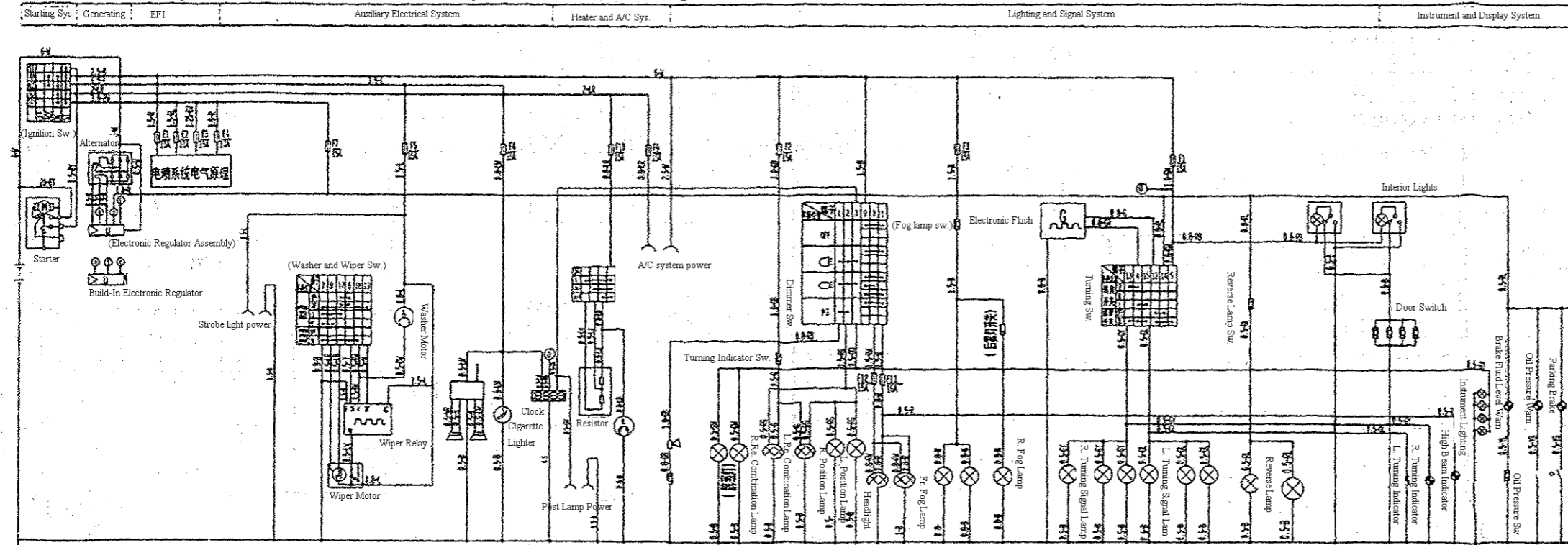


Electrical System, DELPHI 4-Cylinder EFI Engine



Note:

Wire color code:

B: Black; G: Green; L: Blue; N: Brown; O: Orange;

R: Red; W: White; Y: Yellow; Gr: Grey; V: Purple;

Wire Designation:

Example: 1.5 - RW

1.5: wire sectional area 1.5 mm²;

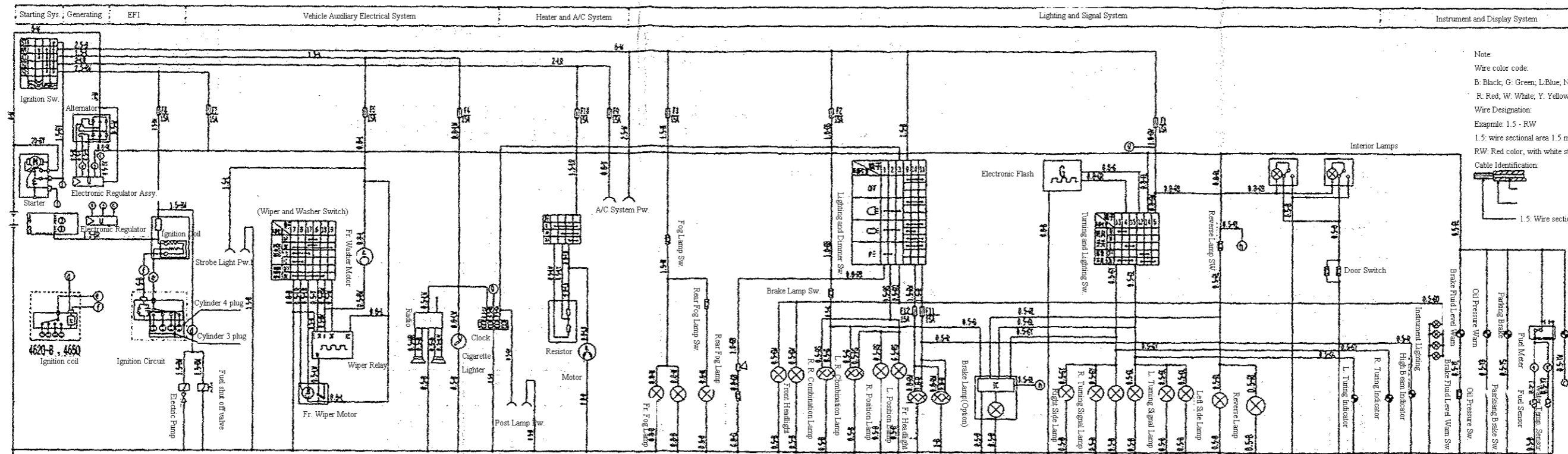
RW: Red color, with white strips

Cable Identification:



1.5: Wire sectional area 1.5 mm².

Electrical System, 3-Cylinder, and 4-Cylinder Carburetor Engine



Note:

Wire color code:

B: Black; G: Green; L: Blue; N: Brown; O: Orange;

R: Red; W: White; Y: Yellow; Gr: Grey; V: Purple;

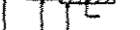
Wire Designation:

Example: 1.5 - RW

1.5: wire sectional area 1.5 mm²;

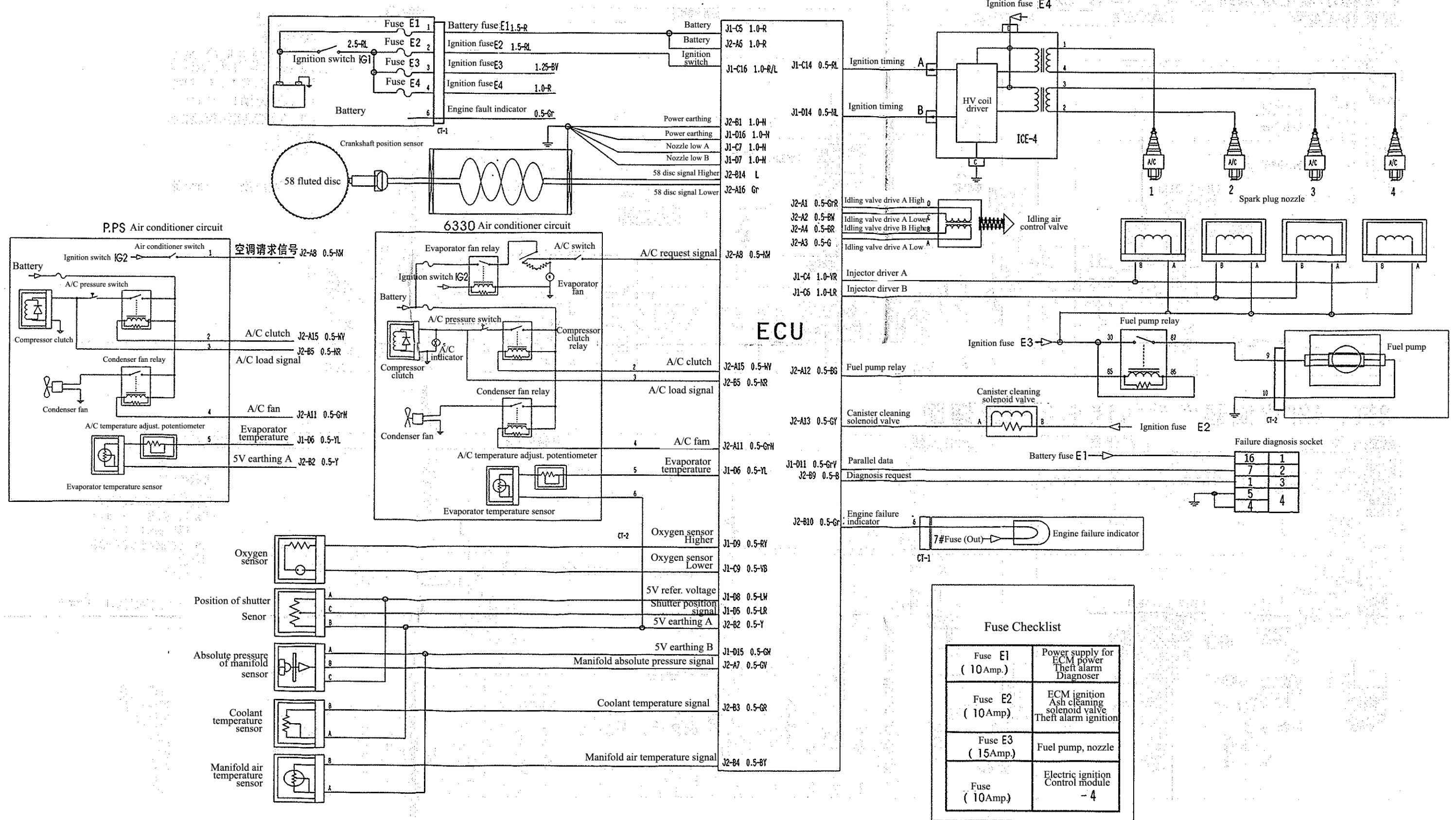
RW: Red color, with white strips

Cable Identification:



1.5: Wire sectional area 1.5 mm².

Electrial - Delphi EFI System



ECU

- J1-C5 1.0-R
- J2-A6 1.0-R
- J1-C16 1.0-R/L
- J1-C14 0.5-R/L
- J1-D14 0.5-R/L
- J2-B1 1.0-H
- J1-D16 1.0-N
- J1-C7 1.0-H
- J1-D7 1.0-H
- J2-B14 L
- J2-A16 Gr
- J2-A1 0.5-GrR
- J2-A2 0.5-BN
- J2-A4 0.5-BR
- J2-A3 0.5-G
- J1-C4 1.0-YR
- J1-C6 1.0-LR
- J2-A15 0.5-WY
- J2-B5 0.5-NR
- J2-A12 0.5-BG
- J2-A13 0.5-GY
- J2-A11 0.5-GrN
- J1-D11 0.5-GrV
- J2-B9 0.5-B
- J2-B10 0.5-Gr
- J1-D9 0.5-RY
- J1-C9 0.5-VB
- J1-D8 0.5-LW
- J1-D6 0.5-LR
- J2-B2 0.5-Y
- J1-D15 0.5-GrW
- J2-A7 0.5-GV
- J2-B3 0.5-Gr
- J2-B4 0.5-BY

Fuse E1 (10 Amp.)	Power supply for ECM power Theft alarm Diagnoser
Fuse E2 (10 Amp.)	ECM ignition Ash cleaning solenoid valve Theft alarm ignition
Fuse E3 (15 Amp.)	Fuel pump, nozzle
Fuse (10 Amp.)	Electric ignition Control module